

NEW PRODUCT INFORMATION

SurfaceMeasure 606

High speed non contact line laser probe

Features

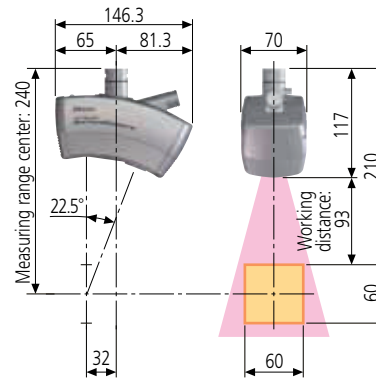
- › High precision
- › High speed non contact measurement
- › Scanning measurement on various surfaces
- › Ideal for inspection, Reverse-Engineering
- › Ideal for free-form inspection and Reverse Engineering
- › Turn your CMM into Multi-sensor device



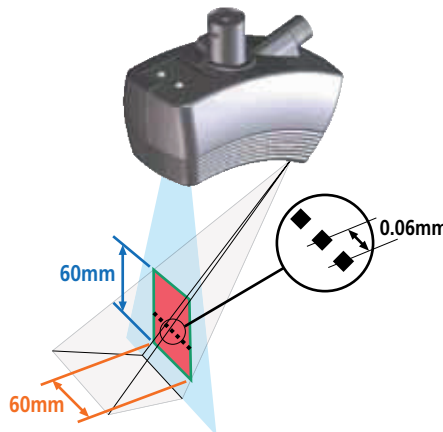
Mitutoyo

Specifications

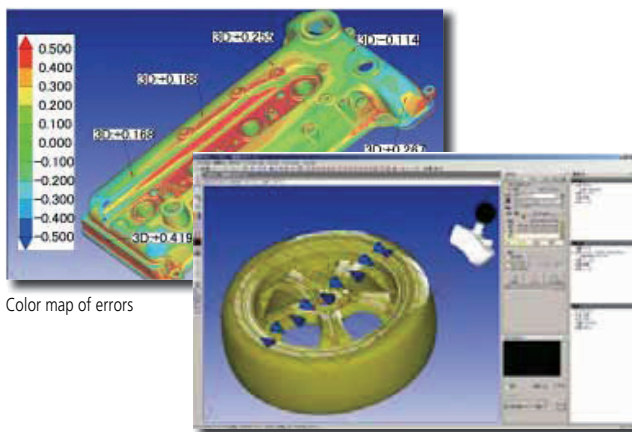
Max. Scan Width	60 mm	
Measuring Range	60 mm	
Working Distance	93 mm	
Scanning Error	12 μm [1σ / Sphere]	
Laser Class	EN / IEC	Class 2 [EN / IEC60825-1 (2007)]
Connection	Auto joint	



High-speed scanning



MSURF-S



Color map of errors

Can be started from MCOSMOS

- Coordinate Measuring Machines
- Vision Measuring Systems
- Form Measurement
- Optical Measuring
- Sensor Systems
- Test Equipment and Seismometers
- Digital Scale and DRO Systems
- Small Tool Instruments and Data Management

Mitutoyo offers you the full range of CMM products: probe systems, styli, jigs, loading systems, cabins, rotary tables.

Mitutoyo Nederland b.v.
 Storkstraat 40
 3905 KX Veenendaal
 T 0031 318 534911
 F 0031 318 534811
 sales@mitutoyo.nl
 www.mitutoyo.nl

Note: All information about our products in this printed material, particularly the illustrations, drawings, measurement and performance specifications, as well as other technical specifications, are to be interpreted as approximate average values. In this respect, changes in construction, technical specification, measures and weights remain reserved. Our specified standards, similar technical regulations as well as the technical specifications, descriptions and illustrations of products are accurate on the date of printing. Furthermore, our general terms of business in the currently applicable revision are binding. Only the offers we make are definitive.

